

DEKLEY VERTICAL KNEE LEVER KIT

Replacement Parts List

Model No. 8566

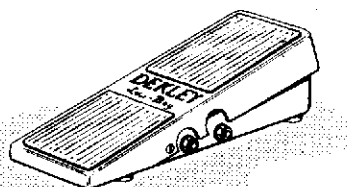
REF NO.	PART NO.	DESCRIPTION	NO. REQ'D	WHERE USED	LIST PRICE
1	SK 126-2	VERTICAL KNEE LEVER	1	KNEE LEVER EXTENSION ARM	\$19.50
2	SK 127	KNEE LEVER EXTENSION ARM	1	CROSS SHAFT	13.50
3	SK 106	PULLER	2	CROSS SHAFT	8.32 EA.
4	SK 124	NYLON TUNING NUT	2	PULL ROD	.70 EA.
5	SK 120	CRANKARM	1	CROSS SHAFT	15.00
6	SK 121-176	PULL ROD	2	PULLER, CHANGER ARM	2.17 EA.
7	SK 119	CROSS SHAFT	1	GUITAR BODY	5.53
8	SK 164	BEARING, NYLON	1	BODY AND CROSS SHAFT	.70
9	SK 146	BUSHING, PULL ROD	2	PULLER	.63 EA.
10		6-32 x 1/2" SOC CAP	2	KNEE LEVER ADJ., CRANK ARM	.16 EA.
11		6-32 x 3/4" SOC CAP	1	KNEE LEVER	.18
12		6-32 x 1" SOC CAP	1	CRANK ARM	.25
13		6-32 x 1/8" SET CUP PT.	3	KNEE LEVER EXT, PULL BRKT	.25 EA.
14		8-32 x 3/16" SET CUP PT.	2	ROD BUSHING	.21 EA.
15		6-32 NUT	2	KNEE LEVER	.10 EA.
16					
17					
18					
19					
20					

EACH PRICE TOTAL = \$80.00
KIT PRICE = \$72.00

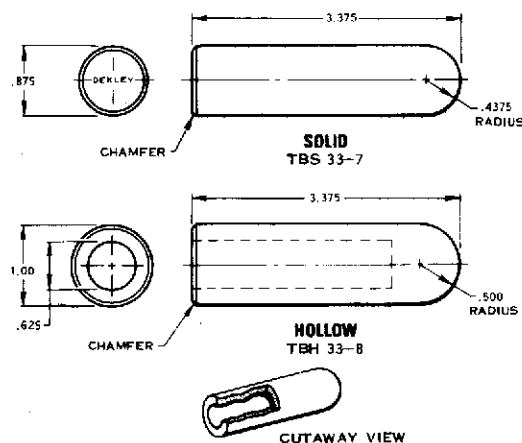
OTHER DEKLEY ACCESSORIES



STRINGS



VOLUME PEDAL



TONE BARS

Distributed in the U.S. by Ampeg
P.O. Box 310, Elkhart, Indiana 46514
In Canada: H & A Selmer (Canada) Ltd. 95-97 Norfinch Drive
Downsview, Ontario M3M1W8, Canada



6 NEWBERRY ROAD, BLOOMFIELD, CONNECTICUT • 06002

TEL. 203-243-8315