

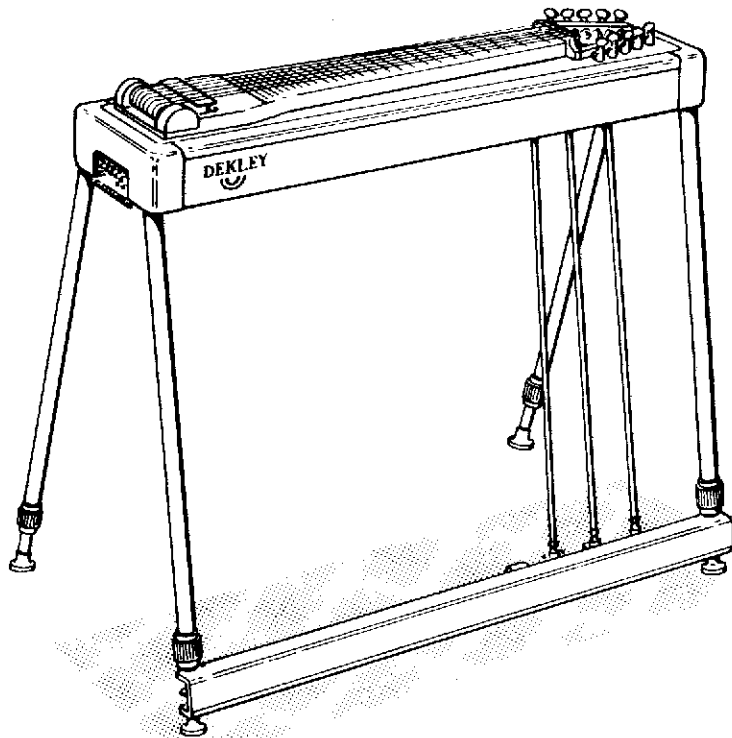


Installation and Operation
Instructions for

DEKLEY SINGLE NECK KNEE LEVER REVERSING KIT

(Left Knee Right , Right Knee Right)

AMPEG # 8565



IMPORTANT

**CAREFULLY READ THE INSTRUCTIONS & FOLLOW THE
ILLUSTRATIONS PROVIDED. & SAVE FOR FUTURE REFERENCE.**

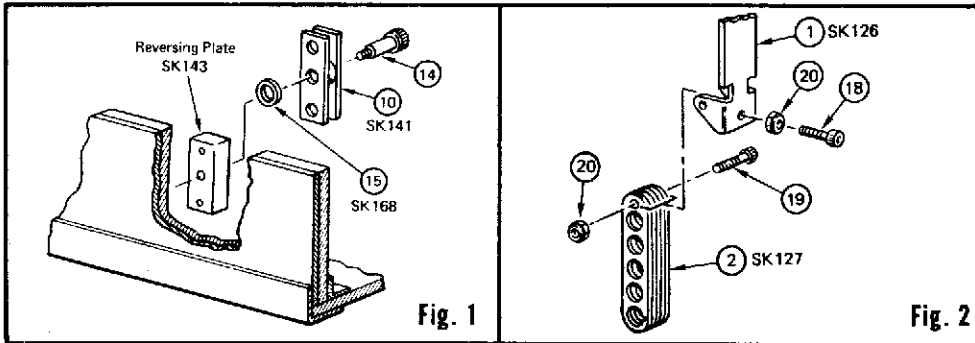
Distributed in the U.S. by Ampeg
P.O. Box 310, Elkhart, Indiana 46514
In Canada: H & A Selmer (Canada) Ltd. 95-97 Nortinch Drive
Downsview, Ontario M3M1W8, Canada

Dekley Corporation, 6 Newberry Road, Bloomfield, Conn. 06002

Printed in U.S.A.

SECTION I

REVERSING BRACKET ASSEMBLY



ASSEMBLE THE REVERSING BRACKET TO THE SIDE OF THE GUITAR IN THE FOLLOWING MANNER:

- A. Insert the 1/4" x 3/8" shoulder bolt (SK-130) through the 1/4" hole in the reversing bracket (SK-141) and slide the 1/4" nylon washer (SK-168) over the threads and onto the 1/4" portion of the shoulder bolt.
- B. Install the shoulder bolt with the reversing bracket and washer into the larger threaded hole of the reversing plate (SK-143), located on the rear apron of the guitar. A dab of Loctite® will keep threads tight for the shoulder bolt.

SECTION II

KNEE LEVER ASSEMBLY

- A. Start the 6-32 nut onto the 6-32 x 1/2" allen head capscrew and start into the 6-32 tapped hole provided in the top back portion of the knee lever.
- B. Slide the "U" shaped portion of the knee lever (SK-126) onto the knee lever extension arm (SK-127) so that the small through holes line up. Insert the 6-32 x 3/4" allen cap screw through the holes and tighten a 6-32 nut onto the screw to a snug fit. A dab of Loctite® here also will help keep the threads tight.

NOTE: The knee lever can be assembled to move either right or left. Take care to note the slot in the knee lever extension arm (SK-127) shaft hole. This slot customarily faces toward the changer end of the guitar. Therefore, the reversing knee lever should mount so that it pulls toward the slot.

SECTION III

CROSS SHAFT & PULLER ASSEMBLY

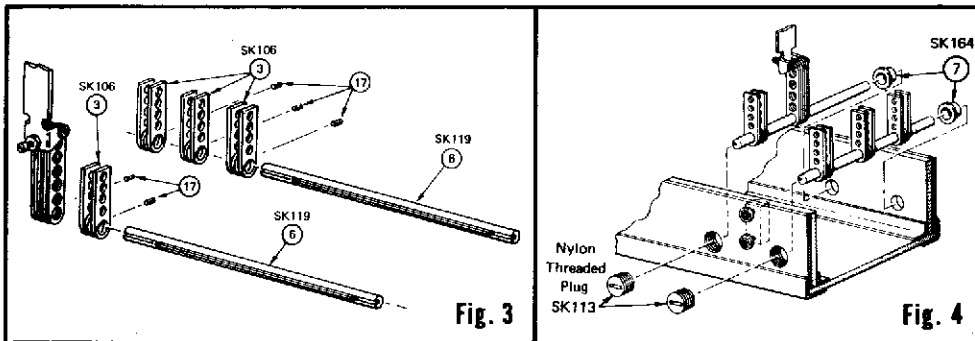
ASSEMBLE THE FOUR PULLERS (SK-106) AND KNEE LEVER ASSEMBLY TO THE CROSS SHAFTS (SK-119) IN THE FOLLOWING MANNER:

- A. Start 6-32 x 1/8" cup point set screws into the tapped holes on the four pullers and the knee lever extension arm (SK-127).

NOTE: Two cross shafts are used in this kit. One is used for the knee lever and the other for the pullers. Both have a puller near the rear apron to attach to the reversing mechanism. Therefore, one shaft will have

three pullers and will be called the puller shaft. The other will have the knee lever and one puller and will be called the knee lever shaft.

- B. Assemble three pullers to one cross shaft (SK-119) loosely, so that the pullers are vertical with the shaft key to the left and the long void away from you. This makes the puller shaft. With the other shaft held the same way, assemble the other puller and knee lever assembly to the shaft with the puller closest to you. This makes the knee lever shaft.



SECTION IV

CROSS SHAFT ASSEMBLY INSTALLATION

- A. Remove the nylon threaded plugs (SK-113) from the guitar body at the selected stations.

NOTE: For left knee right this would be plugs 5 & 6, counting from the machine head end of the guitar. For right knee right this would be plugs 8 & 9.

- B. Insert nylon plug bearings (SK-164) into the front apron of the guitar body. The holes provided are directly across from the threaded nylon bearing.
- C. Carefully insert the cross shaft assemblies under the existing pulling system. Slide cross shaft assembly first into plug hole, then ahead into bearing hole in front apron. Position the nylon screw plug on the cross shaft and screw in to a slightly loose fit.

NOTE: The knee lever shaft should be in hole 5 for left knee right and hole 9 for right knee right.

SECTION V

INSTALLATION OF REVERSING STOP SYSTEM

- A. Start 8-32 x 3/16" cup point set screws into tapped holes of the brass pull rod bushings (SK-146) and the shaft collars (SK-167).

NOTE: You should have one more bushing than set screws. This will be explained later.

- B. Slide one puller (SK-106) of each cross shaft towards the rear apron of the guitar. Align the puller slots with the reversing bracket slot. Tighten the 6-32 x 1/8" cup point set screws in the pullers to the cross shafts.
- C. With the reversing bracket (SK-141) and the puller (SK-106) of the shaft with three pullers both vertical, insert a pull rod bushing (SK-146) into the top hole

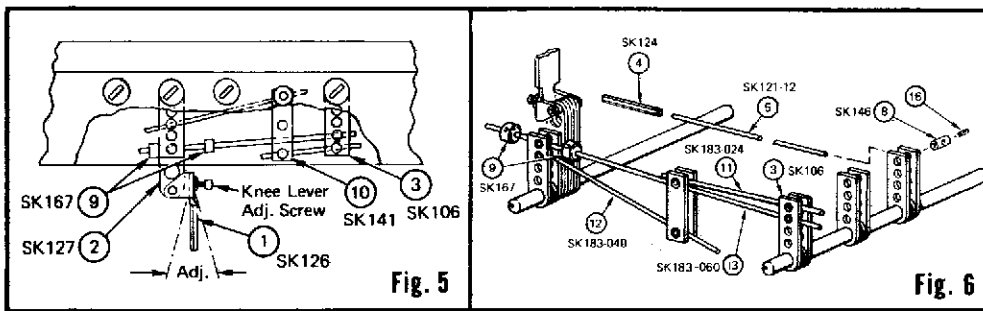
(No. 4) of each. Insert the 1/8" x 2 1/2" rod (SK-183-024) through each bushing and tighten the 8-32 x 3/16" cup point set screws.

- D. With the other puller and the reversing bracket vertical, insert a pull rod bushing into the third hole of the puller and the bottom hole of the reversing bracket, insert the 1/8" x 4" rod (SK-183-040) through each bushing and tighten the 8-32 x 3/16" cup point set screws.

NOTE: The end of the rod in the puller on the knee lever shaft should not protrude past the edge of the puller, as this edge is to be used for a stop.

- E. Insert the pull rod bushing with no set screw into the top hole (No. 4) of the puller on the knee lever shaft. Insert another pull rod bushing into the third rod of the other puller.

Insert the 1/8" x 6" rod (SK-183-060) through the pull rod bushing on the knee lever shaft. Slide one shaft collar over the rod and slide the rod through the reversing bracket and through the pull rod bushing of the other puller so that the end protrudes about 1/4" past the edge of the puller. Tighten the 8-32 x 3/16" set screw in the pull rod bushing. Assemble the other shaft collar to the other end of this rod. With the pullers still vertical, tighten the shaft collar closest to the changer approximately 1/2" from the puller. Tighten the other shaft collar about 1/4" from the other end of the puller. This, of course, will vary depending on the strings pulled.



SECTION VI

KNEE LEVER POSITIONING & PULL ROD INSTALLATION

- A. The knee lever may be placed anywhere along the keyed portion of the shaft as long as it is not in the path of a tuning rod. However, we recommend keeping the knee lever as close to the rear apron as possible to prevent the torsional force on the shaft from detuning the lever changes.
- B. Screw self tapping nylon tuning nuts (SK-124) onto threaded end of pull rods (SK-121-12) approximately 1/2". Insert pull rods into appropriate hole in changer arms (raise or lower).

NOTE: We suggest top hole of either raise or lower arm as a start. This provides a longer, but easier pull.

- C. Insert pull rod bushings (SK-146) in appropriate holes of pullers (SK-106). Align pullers with pull rods and tighten 6-32 x 1/8" cup point set screws to the cross shaft. Slide pull rods through the holes in brass bushings until the nuts are flush with the changer holes. With the pullers vertical and the free play collar approximately 1/4" from reversing plate, tighten 8-32 x 3/16" set screws onto the pull rods. We provide the two longest length pull rods. If you are installing a knee lever where you don't need the extra length, the rods can be cut to size.

NOTE: Added knee lever pulls are now ready to tune. Refer to owners manual under tuning.

DEKLEY REVERSING KNEE LEVER KIT

Replacement Parts List

Model No. 8565

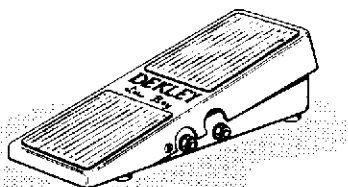
REF NO.	PART NO.	DESCRIPTION	NO. REQ'D	WHERE USED	LIST PRICE
1	SK 126	KNEE LEVER	1	KNEE LEVER EXTENSION ARM	\$16.50
2	SK 127	KNEE LEVER EXTENSION ARM	1	CROSS SHAFT	13.50
3	SK 106	PULLER	4	CROSS SHAFT	8.32EA.
4	SK 124	NYLON NUT	2	PULL ROD	.70EA.
5	SK 121-314	PULL ROD	2	PULLER, CHANGER ARM	2.17EA.
6	SK 119	CROSS SHAFT	2	GUITAR BODY	5.53EA.
7	SK 164	BEARING, NYLON	2	BODY AND CROSS SHAFT	.70EA.
8	SK 146	BUSHING, PULL ROD	8	PULLER	.63EA.
9	SK 167	ROD COLLAR	2	STAINLESS STEEL STOP ROD	.60EA.
10	SK 141	REVERSING BRACKET	1	BODY	6.00
11	SK 183-024	1/8" x 2 1/2" S.S. ROD	1	REVERSING SYSTEM	.24
12	SK 183-040	1/8" x 4" S.S. ROD	1	REVERSING SYSTEM	.30
13	SK 183-060	1/8" x 6" S.S. ROD	1	REVERSING SYSTEM	.40
14	SK 130	1/4" x 3/8" SOC SHLDR. BLT.	1	REVERSING BRACKET	1.65
15	SK 168	1/4" WASHER, NYLON	1	REVERSING BRACKET	1.15
16		8-32 x 3/16" SET CUP PT.	9	PULL ROD BUSHINGS	.21EA.
17		6-32 x 1/8" SET CUP PT.	5	PULLERS	.25EA.
18		6-32 x 1/2" SOC CAP	1	KNEE LEVER	.16
19		6-32 x 3/4" SOC CAP	1	KNEE LEVER	.18
20		6-32 NUTS	2	KNEE LEVER	.10EA.

EACH PRICE TOTAL = \$ 80.00
KIT PRICE = \$ 72.00

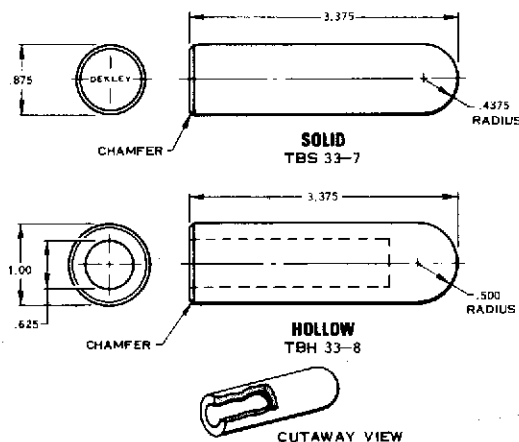
OTHER DEKLEY ACCESSORIES



STRINGS



VOLUME PEDAL



TONE BARS

Distributed in the U.S. by Ampeg
P.O. Box 310, Elkhart, Indiana 46514
In Canada: H & A Selmer (Canada) Ltd. 95-97 Norfinch Drive
Downsview, Ontario M3M1W8, Canada



6 NEWBERRY ROAD, BLOOMFIELD, CONNECTICUT • 06002

TEL. 203-243-8315