

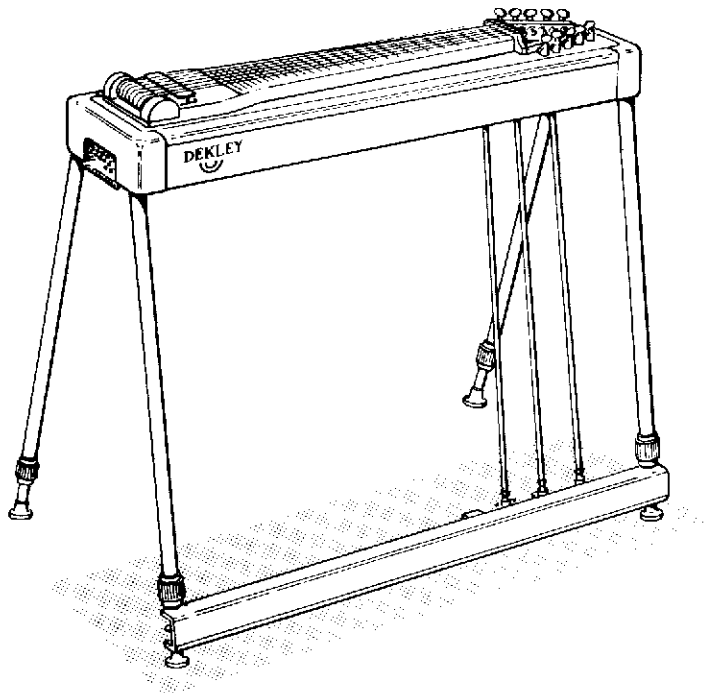


Installation and Operation  
Instructions for

# DEKLEY SINGLE NECK DIRECT PULL KNEE LEVER KIT

(Left Knee Left, Right Knee Left)

AMPEG #8564

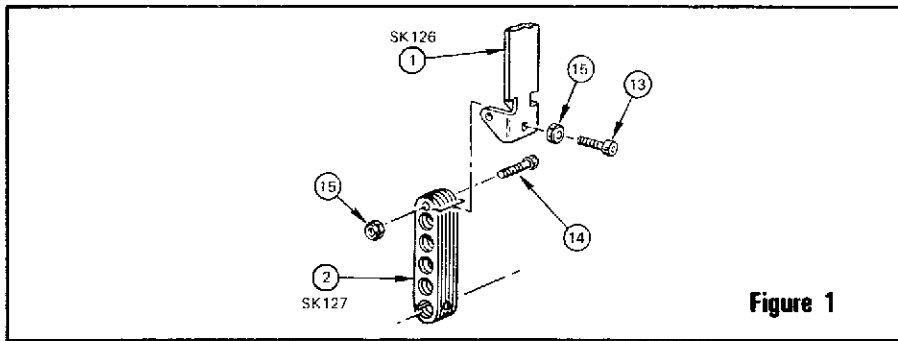


## IMPORTANT

CAREFULLY READ THE INSTRUCTIONS & FOLLOW THE  
ILLUSTRATIONS PROVIDED, & SAVE FOR FUTURE REFERENCE.

Printed in U.S.A.

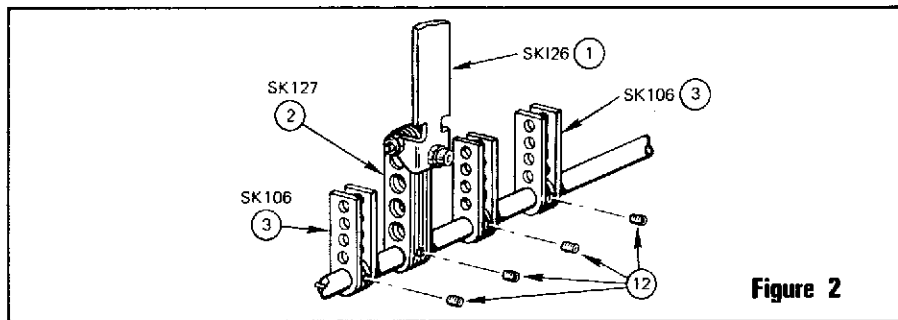
**SECTION I**  
**KNEE LEVER ASSEMBLY**



- A. Install the 6-32 nut onto the 6-32 x 1/2" allen head cap screw and insert into the tapped hole provided in the top back portion of the knee lever. Figure 1
- B. Slide the "U" shaped portion of the knee lever (SK-126) onto the knee lever extension arm (SK-127) so that the small through holes line up. Insert the 6-32 x 3/4" allen cap screw through the holes and tighten a 6-32 nut onto the screw to a snug fit. A dab of Loctite<sup>®</sup> here will keep the threads tight.

**NOTE:** The knee lever can be assembled to move either right or left. Take care to note the slot in the knee lever extension arm (SK-127) shaft hole. This slot customarily faces toward the changer end of the guitar. Therefore, the direct pull knee lever should mount so that it pulls away from the slot.

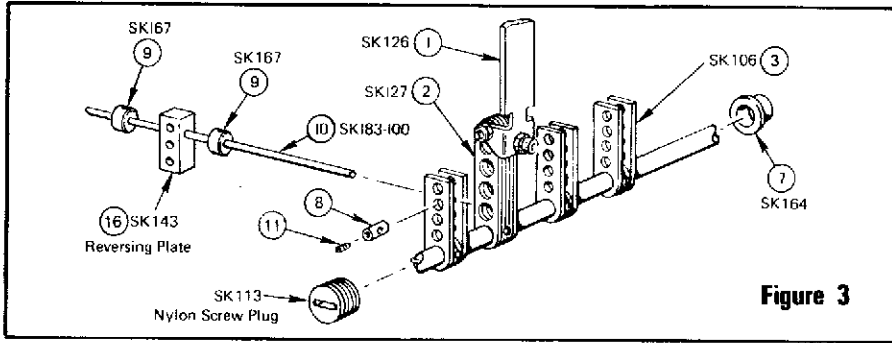
**SECTION II**  
**CROSS SHAFT & PULLER ASSEMBLY**



**ASSEMBLE THE THREE PULLERS (SK-106) AND KNEE LEVER ASSEMBLY TO THE CROSS SHAFT (SK-119) IN THE FOLLOWING MANNER:**

- A. Start 6-32 x 1/8" cup point set screws into tapped holes on the three pullers (SK-106) and the knee lever extension arm (SK-127). Figure 2
- B. With the shaft held with the key to the left and the long void away from you, assemble one puller to the shaft loosely and slide it to the end of the key closest to you. Slide the knee lever assembly on next and finally, the other two pullers.

**SECTION III  
CROSS SHAFT ASSEMBLY INSTALLATION**



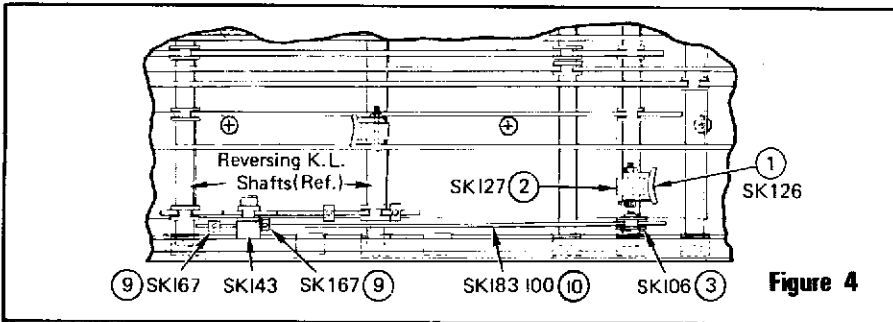
**Figure 3**

- A. Remove the nylon threaded plug (SK-113) from the guitar body at the selected station. Per Figure 3

NOTE: For left knee left this would be plug #3, counting from the machine head end of the guitar. For right knee left this would be plug #7.

- B. Insert nylon plug bearing (SK-164) into the front apron of the guitar body. The hole provided is directly across from the threaded nylon bearing.
- C. Carefully insert the cross shaft assembly under the existing pulling system. Slide cross shaft assembly first into plug hole then ahead into bearing hole in front apron. Position the nylon screw plug on the cross shaft and screw in to a slightly loose fit.

**SECTION IV  
INSTALLATION OF STOP & FREE PLAY SYSTEM**



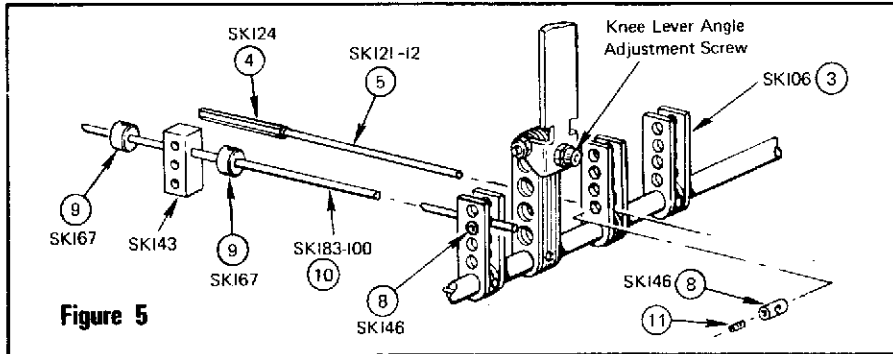
**Figure 4**

- A. Start the 8-32 x 3/16" cup point set screws into tapped holes of the brass pull rod bushings (SK-146) and the shaft collars (SK-167).
- B. Slide the puller nearest the rear apron as close to the side rail as possible, keeping the puller on the key, and tighten the 6-32 x 1/8" cup point set screw to the cross shaft in the slot. Note: The key can be moved in the slot, if necessary.
- C. With the puller (SK-106) vertical, insert a pull rod bushing (SK-146) into the next to the top hole (#3) of the puller. Insert the 1/8" x 10" rod (SK183-100)

through the pull rod bushing in the puller. Slide one shaft collar over the rod and slide the rod through the lateral hole in the reversing plate (SK-143) located on the rear apron so that it protrudes through the plate approximately 1". Tighten the 8-32 x 3/16" set screw in the pull rod bushing. Assemble the other shaft collar to the other end of this rod. With the puller still vertical tighten the shaft collar closest to the changer approximately 1/2" from the reversing bracket. Tighten the other shaft collar about 1/4" from the other side of the bracket. This collar sets the free play while the other sets the length of the throw. This, of course, will vary depending on the strings being pulled. Figure 4 shows an over all view of knee levers in place inside body.

## SECTION V

### KNEE LEVER POSITIONING & PULL ROD INSTALLATION



- A. The knee lever may be placed anywhere along the keyed portion of the shaft as long as it is not in the path of a tuning rod. However, we recommend keeping the knee lever as close to the rear apron as possible to prevent the torsional force on the shaft from de-tuning the lever changes.
- B. Assemble self tapping nylon tuning nuts (SK-124) onto threaded end of pull rods (SK-121-12) approximately 1/2". Insert pull rods into appropriate hole in changer arms (raise or lower). Figure 5

NOTE: We suggest top hole of either raise or lower arm as a start. This provides a longer, but easier pull.

- C. Insert pull rod bushings (SK-146) in appropriate holes of pullers (SK-106). Align pullers with pull rods and tighten 6-32 x 1/8" cup point set screws to the cross shaft. Slide pull rods through the holes in brass bushings until the nuts are flush with the changer holes. With the pullers vertical and the free play collar approximately 1/4" from reversing plate, tighten 8-32 x 3/16" set screws onto the pull rods. We provide the two longest length pull rods. If you are installing a knee lever where you don't need the extra length, rods can be cut to size.

NOTE: Added knee lever pulls are now ready to tune. Refer to owners manual under tuning.

Distributed in the U.S. by Ampeg  
P.O. Box 310, Elkhart, Indiana 46514  
In Canada: H & A Selmer (Canada) Ltd. 95-97 Norfinch Drive  
Downsview, Ontario M3M1W8, Canada

Dekley Corporation, 6 Newberry Road, Bloomfield, Conn. 06002

# DEKLEY DIRECT PULL KNEE LEVER KIT

## Replacement Parts List

Model No. 8564

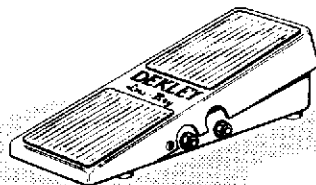
REF NO.	PART NO.	DESCRIPTION	NO. REQ'D	WHERE USED	LIST PRICE
1	SK 126	KNEE LEVER	1	KNEE LEVER EXTENSION ARM	\$16.50
2	SK 127	KNEE LEVER EXTENSION ARM	1	CROSS SHAFT	13.50
3	SK 106	PULLER	3	CROSS SHAFT	8.32 EA.
4	SK 124	NYLON NUTS	2	PULL ROD	.70 EA.
5	SK 121-314	PULL RODS	2	PULLER, CHANGER ARM	2.17 EA.
6	SK 119	CROSS SHAFT	1	GUITAR BODY	5.53
7	SK 164	BEARING, NYLON	1	BODY AND CROSS SHAFT	.70
8	SK 146	BUSHING, PULL ROD	3	PULLER	.63 EA.
9	SK 167	ROD COLLAR	2	STAINLESS STEEL STOP ROD	.60 EA.
10	SK 183-100	1/8" x 10" S.S. ROD	1	REVERSING BRKT. & PULLER	1.75
11		8-32 x 3/16" SET CUP PT.	5	BUSHING AND COLLARS	.21 EA.
12		6-32 x 1/8" SET CUP PT.	4	PULLERS	.25 EA.
13		6-32 x 1/2" SOC CAP	1	KNEE LEVER	.16
14		6-32 x 3/4" SOC CAP	1	KNEE LEVER	.18
15		6-32 NUT	2	KNEE LEVER	.10 EA.
16					
17					
18					
19					
20					

EACH PRICE TOTAL = \$ 80.00  
KIT TOTAL = \$ 72.00

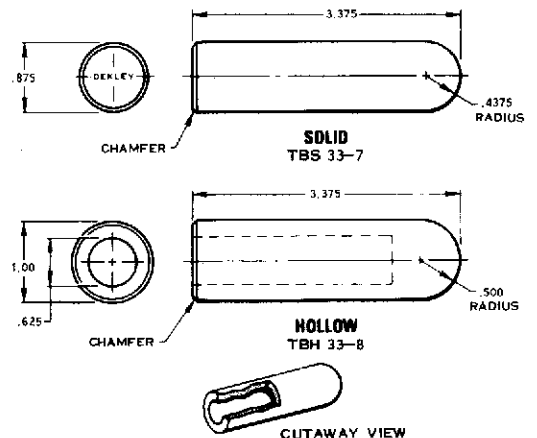
### OTHER DEKLEY ACCESSORIES



STRINGS



VOLUME PEDAL



TONE BARS

Distributed in the U.S. by Ampeg  
P.O. Box 310, Elkhart, Indiana 46514  
In Canada: H & A Selmer (Canada) Ltd. 95-97 Norfinch Drive  
Downsview, Ontario M3M1W8, Canada

