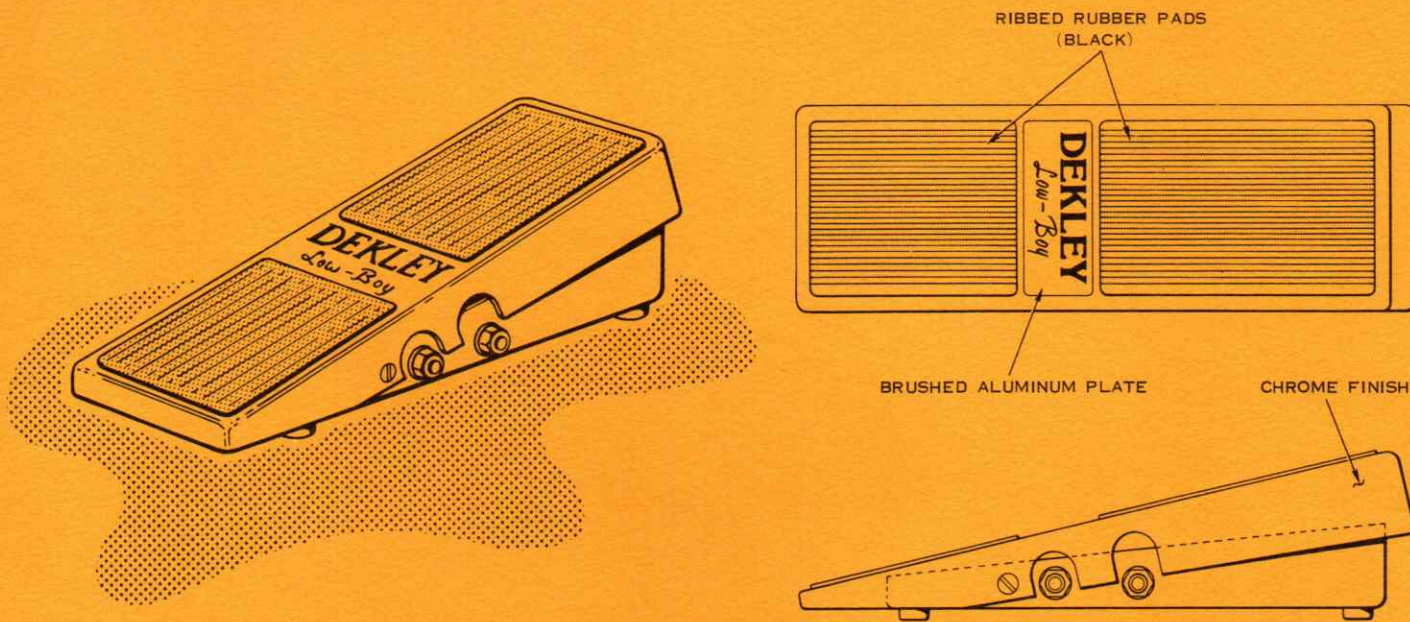


DEKLEY

• LOW-BOY VOLUME PEDAL



THE DEKLEY LOW-BOY VOLUME PEDAL IS BODY CONTOUR ENGINEERED TO BE CONGRUENT WITH THE PEDAL STEEL PLAYERS NATURAL SEATED POSITION. IT'S LOW PROFILE ALLOWS THE PLAYER'S KNEE HEIGHTS TO BE WITHIN ONE INCH OF BEING EQUAL. THIS NATURAL BALANCED POSITION MAKES KNEE LEVER OPERATION EASIER, PLUS IT GIVES MORE CLEARANCE TO KEEP THE KNEE FROM DRAGGING ON THE GUITAR'S UNDERCARRIAGE.

THE LOW-BOY HAS A SMOOTH STROKE OF APPROXIMATELY 7/8" OF A INCH. IT HAS A STRING ACTIVATED POT WHICH IS SPRING LOADED FOR QUIET OPERATION.

Model No. 8464 \$79.50 Suggested List Price

PEDAL IN HEEL DOWN POSITION

CONFIGURATION	DEKLEY LOW-BOY	EDWARDS GOODRICH AND SHO-BUD
HEEL HEIGHT FROM FLOOR	5/8"	1 3/4" AVERAGE
TOE HEIGHT FROM FLOOR	2 7/8"	3 7/8" AVERAGE

PEDAL IN TOE DOWN POSITION

CONFIGURATION	DEKLEY LOW-BOY	EDWARDS GOODRICH AND SHO-BUD
HEEL HEIGHT FROM FLOOR	1 1/8"	2 1/4" AVERAGE
TOE HEIGHT FROM FLOOR	1 5/8"	2 7/8" AVERAGE

 ampeg
P.O. Box 310, Elkhart, Indiana 46514

DEKLEY

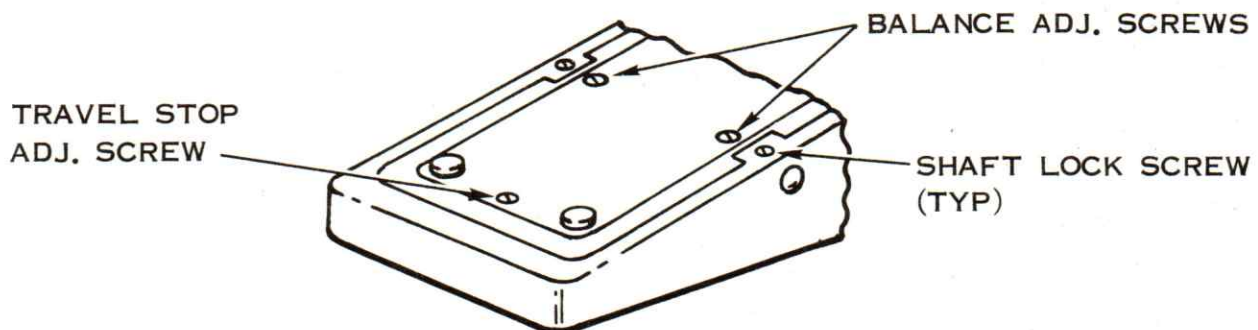
• LOW-BOY VOLUME PEDAL

THE DEKLEY LOW BOY VOLUME PEDAL IS DESIGNED ESPECIALLY FOR THE PEDAL STEEL GUITAR, BUT CAN BE USED WITH OTHER INSTRUMENTS EQUALLY AS WELL. THE LOW CONTOUR OF THE PEDAL ALLOWS A BALANCED SEATED POSITION AS WELL AS KEEPING THE KNEES OF THE TALLER PLAYER OUT OF THE UNDER-CARRIAGE OF HIS GUITAR. WE HAVE USED A DIAMOND DESIGN IN THE CASTING FOR NON SKID OPERATION. THE SHORT STROKE GIVES A 15% QUICKER RESPONSE IN VOLUME LEVELS THAN THE AVERAGE OF OTHER BRANDS.

A UNIQUE DEKLEY INOVATION IS ITS' ADJUSTABLE DRAG AND BALANCING SYSTEM. TWO NYLON INSERTS ARE LOCATED UNDER THE 8-32 SET SCREWS IN THE BOTTOM SECTION WHICH EXERT CONTROLLED DRAG ON THE PEDAL HINGE SHAFT. THE LOW BOY USES BRAIDED STEEL NYLON COVERED CORD FOR LONG LIFE POT OPERATION. IT HAS AN ADJUSTABLE TRAVEL STOP SCREW FOR CONTROLLING THE LENGTH OF TRAVEL. RUBBER BUMPERS ARE PROVIDED FOR NOISE FREE OPERATION.

IN THE EVENT THE 1/2 MEG. POTENTIOMETER SHOULD FAIL, YOU MAY PURCHASE A REPLACEMENT POT AND ONE FOOT OF CORD FOR \$5.50 PLUS C.O.D. CHARGES. INSTRUCTIONS FOR REPLACING WILL BE INCLUDED.

ALL POTENTIOMETERS CARRY A 90 DAY WARRANTEE.



BOTTOM VIEW



6 NEWBERRY ROAD, BLOOMFIELD, CONNECTICUT • 06002

TEL. 203-243-8315

Distributed in the U.S. by Ampeg
P.O. Box 310, Elkhart, Indiana 46514
In Canada: H & A Selmer (Canada) Ltd. 95-97 Norfinch Drive
Downsview, Ontario M3M1W8, Canada